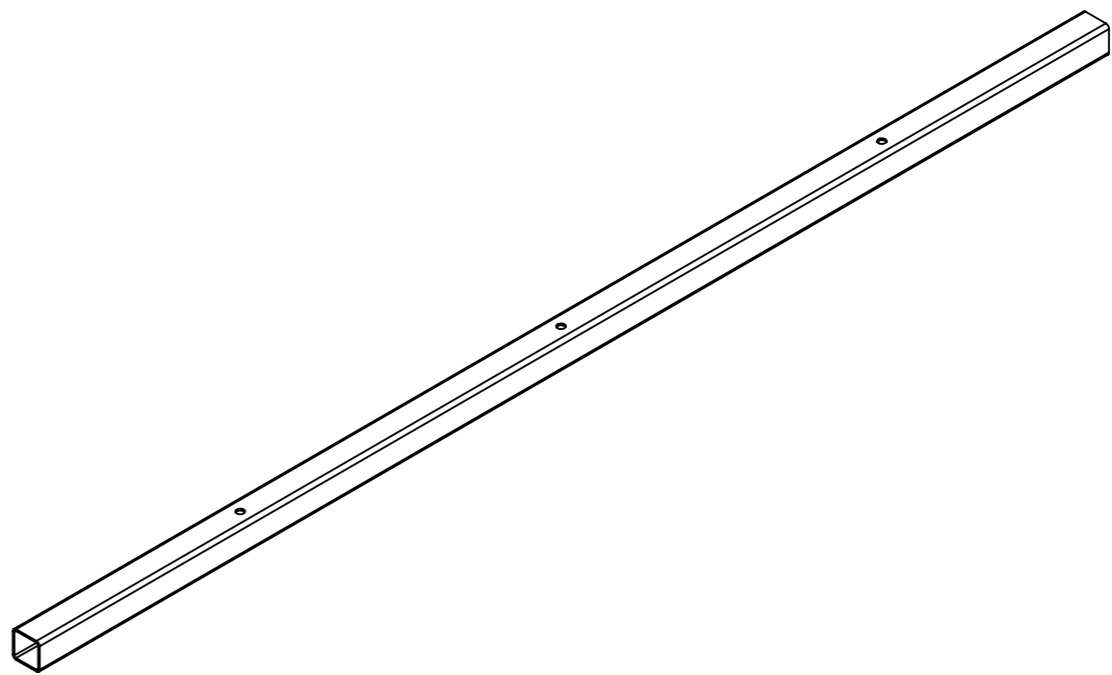
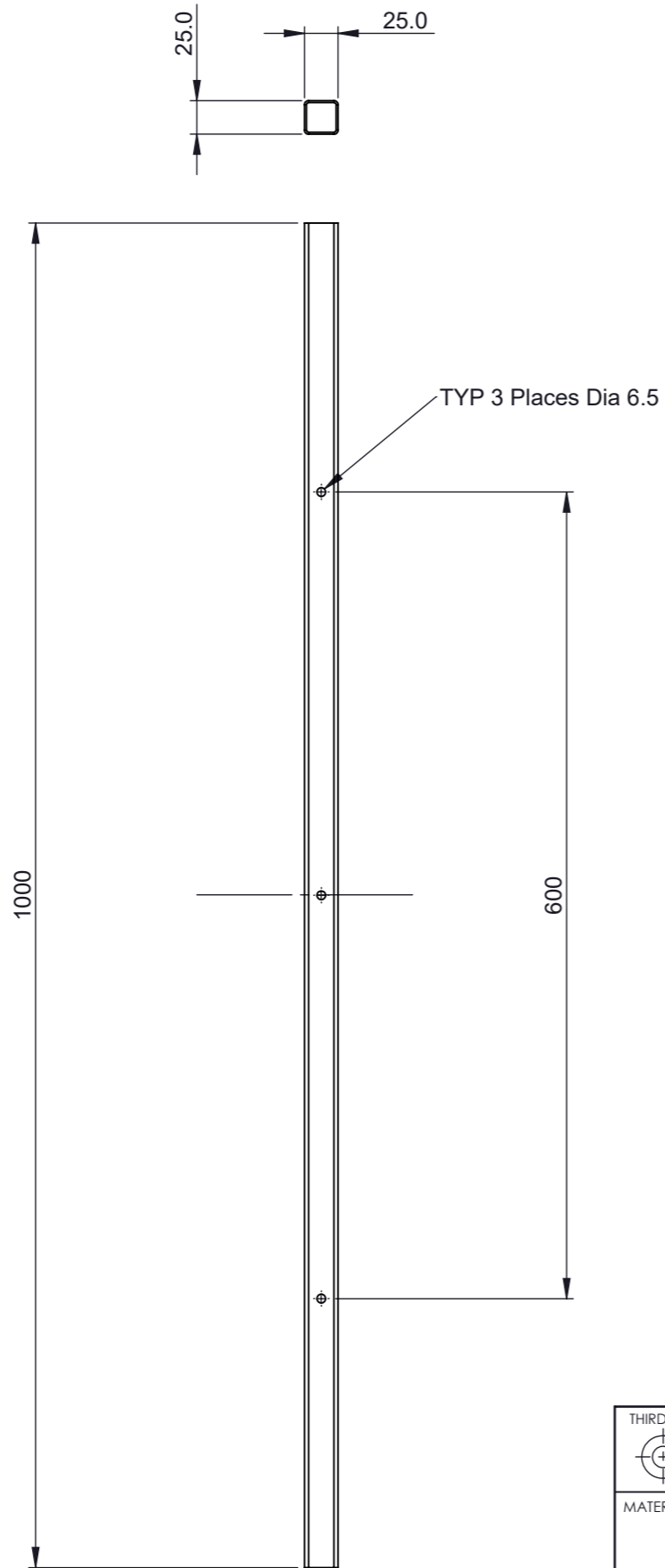


NOTES - (UNLESS OTHERWISE SPECIFIED)

- 1. ALL DIMENSIONS IN MILLIMETERS.
- 2. GD&T AS PER ISO1101-2004.



2 Parts Required

REVISIONS					
ZONE	REV.	DESCRIPTION	ECO	APPROVED	DATE
	REV1	RELEASE		XXX	01JAN13

THIRD ANGLE PROJECTION 	THIS DOCUMENT IS ISSUED IN STRICT CONFIDENCE ON CONDITION THAT IT IS NOT COPIED, REPRINTED, OR DISCLOSED TO A THIRD PARTY EITHER WHOLLY OR IN PART WITHOUT THE WRITTEN CONSENT OF UNIVERSITY OF CANTERBURY		Weir Warman Competiton ©	
	MATERIAL Galvanised 25 x 25 x 1.6 Mild Steel SHS		25 x 25 SHS Obstacle and Start/End Hard Point	
FINISH As supplied, galvanised not painted	DESIGN D M Clucas	DWG NO. 3 of 4	REV 1.0	
TOLERANCE (UNLESS OTHERWISE SPECIFIED) DECIMAL mm Tolerance +/- 5mm unless stated		DRAWN D M Clucas	PROJECT 2020 Weir Warman Competition	
		ISSUE DATE 7/1/2020	DRAWING NOT TO SCALE	SHEET 3 OF 4